



*TB 852*

# LIST OF THE EXPLODED VIEWS



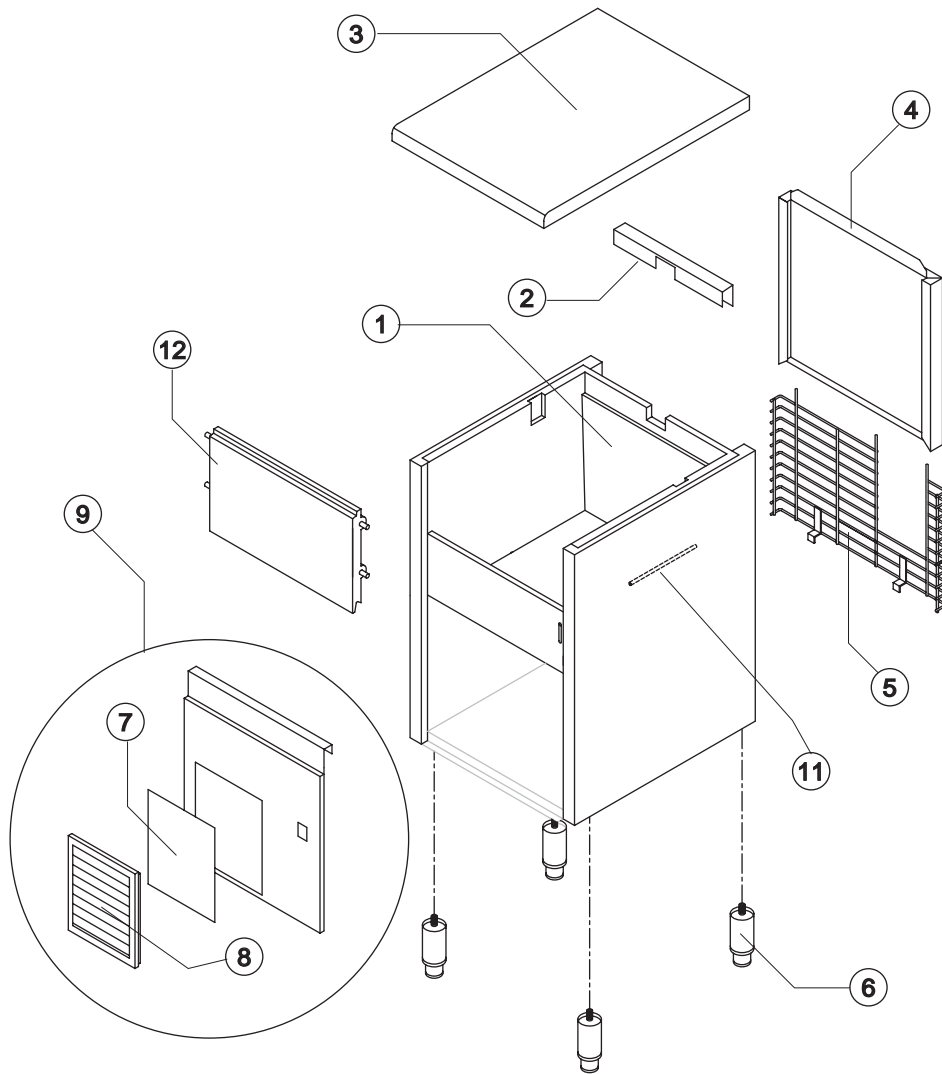
*SHELL ASSY*

*COOLING SYSTEM*

*EVAPORATOR*

*HYDRAULIC CIRCUIT*

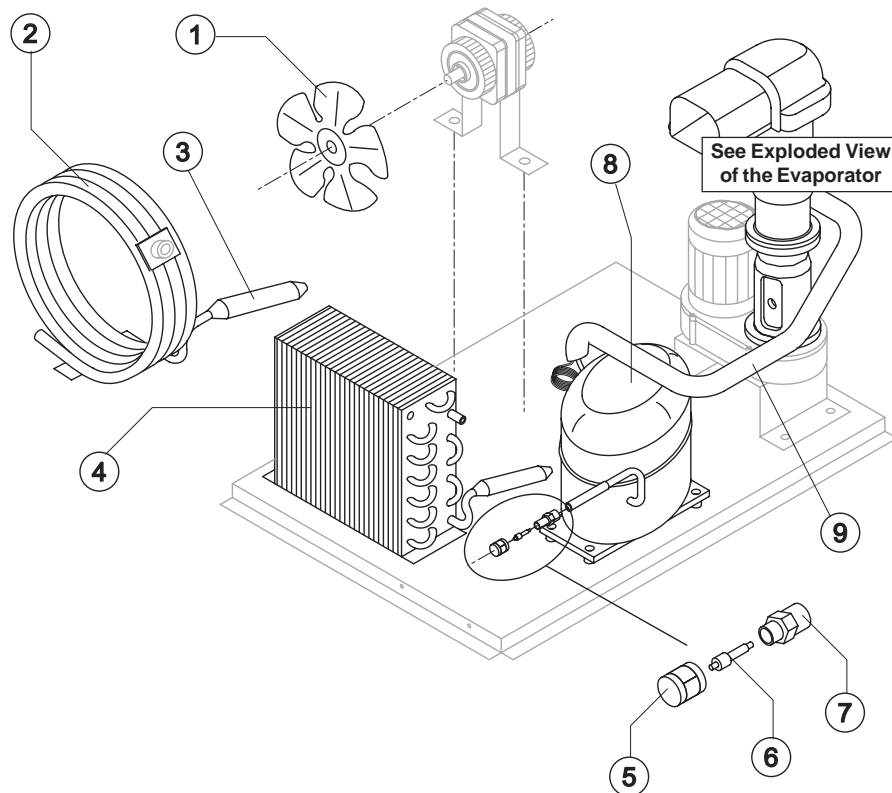
*ELECTRIC PARTS*



| Ref. | Spare Description               | Code             |        |
|------|---------------------------------|------------------|--------|
| 1    | Foamed Cabinet Assy             | See Table        |        |
| 2    | Cover for Ice Exhaust           | Current Version  | 221385 |
| 2    | Cover for Ice Exhaust           | Till s/n. 589140 | 221103 |
| 3    | Top Assembly                    | C22689           |        |
| 4    | Rear Panel Assembly             | C21215           |        |
| 5    | Rear Grid                       | D12014           |        |
| 6    | Adjustable Stainless Steel Foot | 20613            |        |
| 7*   | Filtering Panel                 | 18106            |        |
| 8    | Frame + Grid & Filter           | C10205           |        |
| 9    | Front Grid Panel                | C22507           |        |
| 11   | Bulbe-holder Pipe               | 20521            |        |
| 12   | Door Assy                       | C10297           |        |

### Ref. 1 - Foamed Cabinet Assy

| Condensation | Code    |
|--------------|---------|
| Air          | C11153A |
| Water        | C11153W |



Rev. 7B - 06/06/2018

### Common Parts

| Ref. | Spare Description          | Code                                      |
|------|----------------------------|---|
| 3*   | Molecular Drier            | 14009                                     |
| 5*   | Vacuum-Charge Valve Plug   | 14006                                     |
| 6*   | Vacuum-Charge Valve Device | 14005                                     |
| 7    | Vacuum-Charge Valve Body   | 14007                                     |
| 8    | Compressor                 | See Table                                 |
| 9    | Suction Line               | for the spare parts code give us the s/n. |

### Parts for Air-Cooled Version Only

| Ref. | Spare Description | Code      |
|------|-------------------|-----------|
| 1    | Sucking Fan       | See Table |
| 4    | Air Condenser     | 20283     |

### Parts for Water-Cooled Version Only

| Ref. | Spare Description | Code  |
|------|-------------------|-------|
| 1    | Sucking Fan       | 10213 |
| 2    | Water Condenser   | 14057 |

### Rif. 1 - Sucking Fan

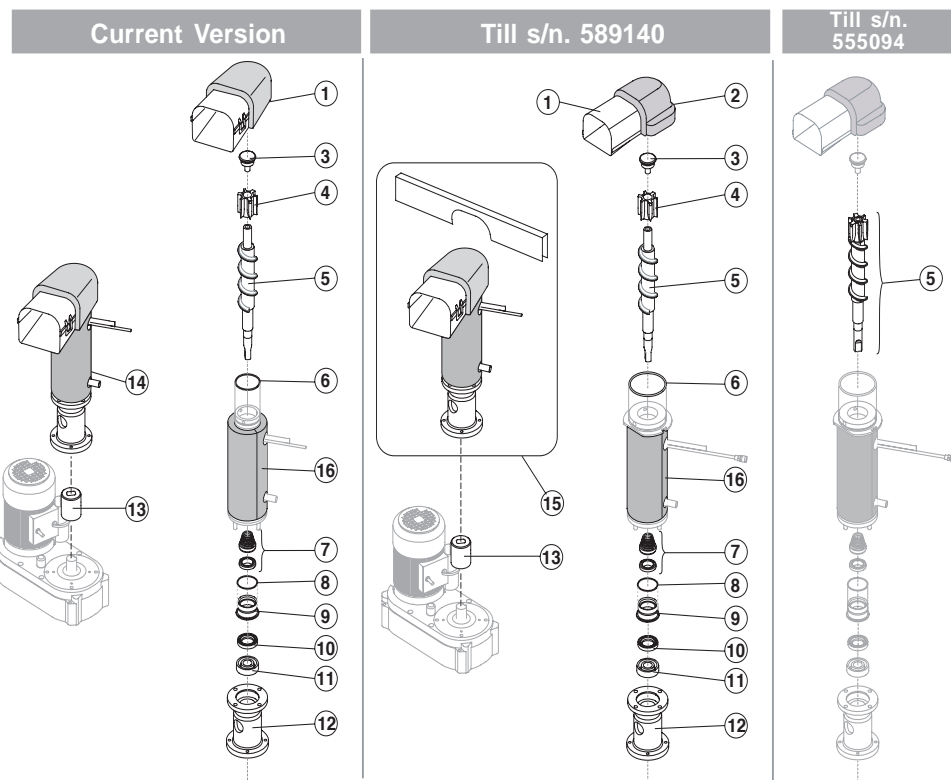
| Voltage | Code  |
|---------|-------|
| T11     | 20096 |
| T12     | 20095 |

### Rif. 8 - Compressor

| Voltage | Code   |
|---------|--------|
| T11     | 23985  |
| T12     | 23494A |

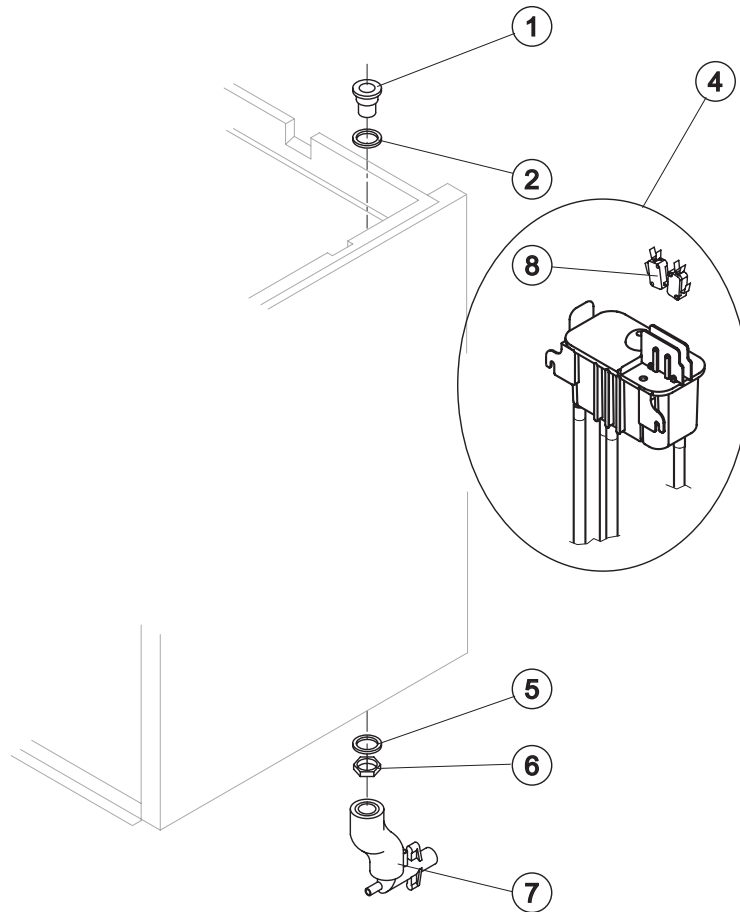


Rev. 7B - 06/06/2018



| Ref. | Spare Description (Current version) | Code    |
|------|-------------------------------------|---------|
| 1    | Ice Exhaust with insulatig cap      | C10648  |
| 3    | Ice Breaker                         | 20915   |
| 4    | Extruder with bearings assembly     | C201001 |
| 5    | Auger                               | 201000  |
| 6    | OR Gasket 4325                      | 20987   |
| 7    | Ceramic Seal                        | 20937   |
| 8    | OR Gasket 3162 mat. NBR70           | 20429   |
| 9    | Reduction Ring                      | 20785   |
| 10   | Seal Ring                           | 20985   |
| 11   | Bearing                             | 20917   |
| 12   | Flange                              | 20916   |
| 13   | Joint                               | D20630  |
| 14   | Evaporator Assy                     | C11174  |
| 16   | Insulating Cap                      | 18205   |

| Ref. | Spare Description (till s/n. 589140 )   | Code             |
|------|---|------------------|
| 1    | Ice Exhaust                             | C10556           |
| 2    | Insulating cap                          | 18208            |
| 3    | Ice Breaker                             | 20915            |
| 4    | Extruder with bearings assembly         | From s/n. 555095 |
| 5    | Auger                                   | From s/n. 555095 |
| 5    | Auger + Extruder with bearings assembly | Till s/n. 555094 |
| 6    | OR Gasket 4325                          | 20931            |
| 7    | Ceramic Seal                            | 20937            |
| 8    | OR Gasket 3162 NBR70                    | 20429            |
| 9    | Reduction Ring                          | 20785            |
| 10   | Seal Ring                               | From s/n. 515012 |
| 11   | Bearing                                 | 20917            |
| 12   | Flange                                  | 20916            |
| 13   | Joint                                   | D20630           |
| 15   | Evaporator Assy                         | KITNEV/TB852     |
| 16   | Insulating Cap                          | 18205            |



### Common Parts

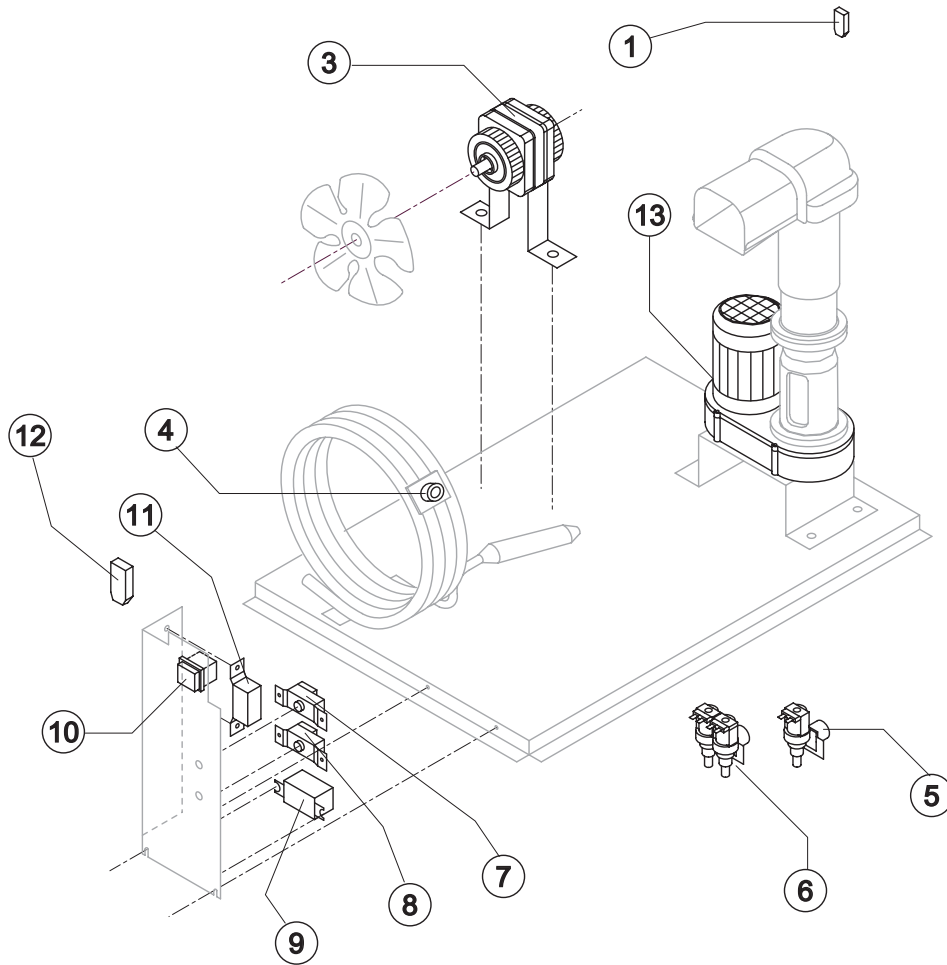
| Ref. | Spare Description             | Code   |
|------|-------------------------------|--------|
| 1    | Water Outlet Nipple           | 10472  |
| 2    | Silicone Gasket               | 13006  |
| 4*   | Double Switch Basin Assembly  | C10708 |
| 5    | Semirigid Polyethylene Gasket | 13007  |
| 6    | Bin Discharge Nut             | 10096  |
| 8    | Microswitch                   | 23055  |

### Parts for Air-Cooled Version Only

| Ref. | Spare Description   | Code   |
|------|---------------------|--------|
| 7    | Discharges Manifold | C10235 |

### Parts for Water-Cooled Version Only

| Ref. | Spare Description   | Code   |
|------|---------------------|--------|
| 7    | Discharges Manifold | C10240 |



Rev. 7B - 06/06/2018

### Common Parts

| Ref. | Spare Description              | Code                         |
|------|--------------------------------|------------------------------|
| 1    | Anti Radio Interference Filter | Only T11 and T12<br>C23457   |
| 3*   | Fan Motor                      | 23029                        |
| 7*   | Bin Thermostat                 | R23005                       |
| 8*   | Evaporator Thermostat          | Current Version<br>R23591    |
| 8*   | Evaporator Thermostat          | Till s/n. 587092<br>KIT23591 |
| 9*   | Relay                          | 23190                        |
| 10*  | Green Light Switch (On-Off)    | 23327                        |
| 11*  | Condenser Pressure Switch      | 23175                        |
| 12   | Anti Radio Interference Filter | Only T11 and T12<br>C23459   |
| 13   | Gearmotor                      | See Table                    |

### Parts for Air-Cooled Version Only

| Ref. | Spare Description        | Code  |
|------|--------------------------|-------|
| 5*   | 1 Way- Water Inlet Valve | 23115 |

### Parts for Water-Cooled Version Only

| Ref. | Spare Description         | Code   |
|------|---------------------------|--------|
| 4*   | Safety Thermostat         | C23114 |
| 6*   | 2 Ways- Water Inlet Valve | 23116  |

### Ref. 13 - Gearmotor

| Voltage | Current Version | Till s/n. 594912 |
|---------|-----------------|------------------|
| T11     | 231060          | R231060          |
| T12     | 231030          | R231030          |