



TM 140

LIST OF THE EXPLODED VIEWS



SHELL ASSY

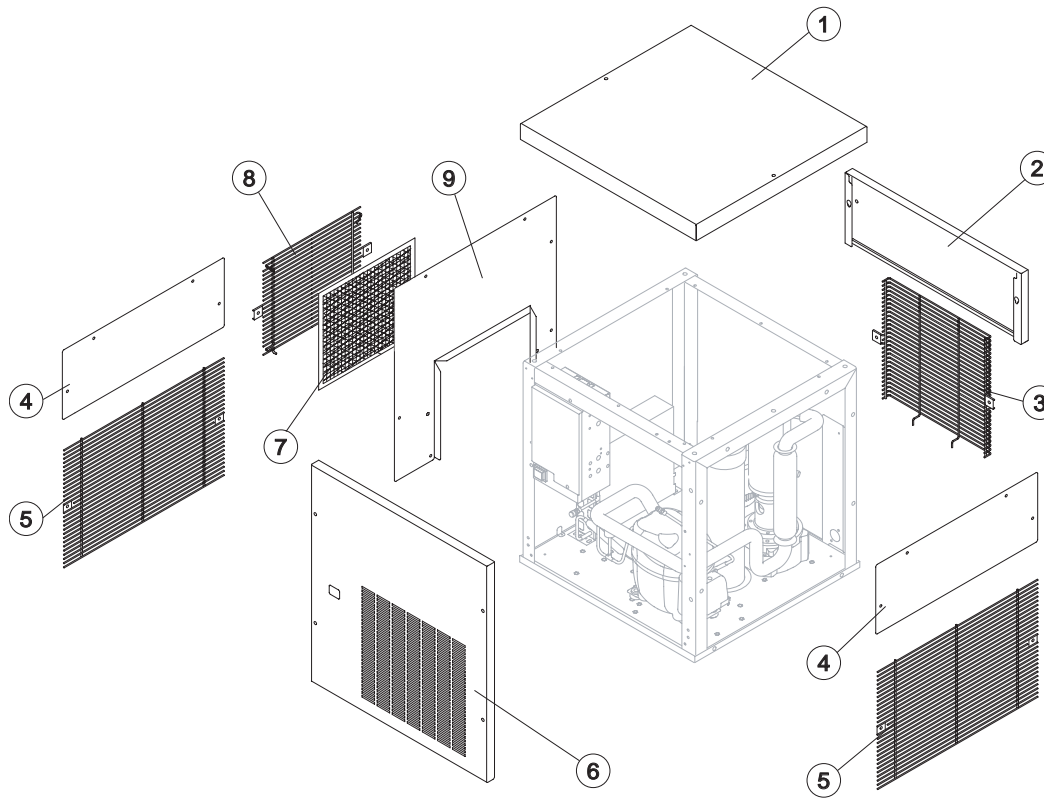
COOLING SYSTEM

EVAPORATOR

HYDRAULIC CIRCUIT

ELECTRIC PARTS

Rev. 2 - 19/04/2018



Rev. 2 - 19/04/2018

Common Parts

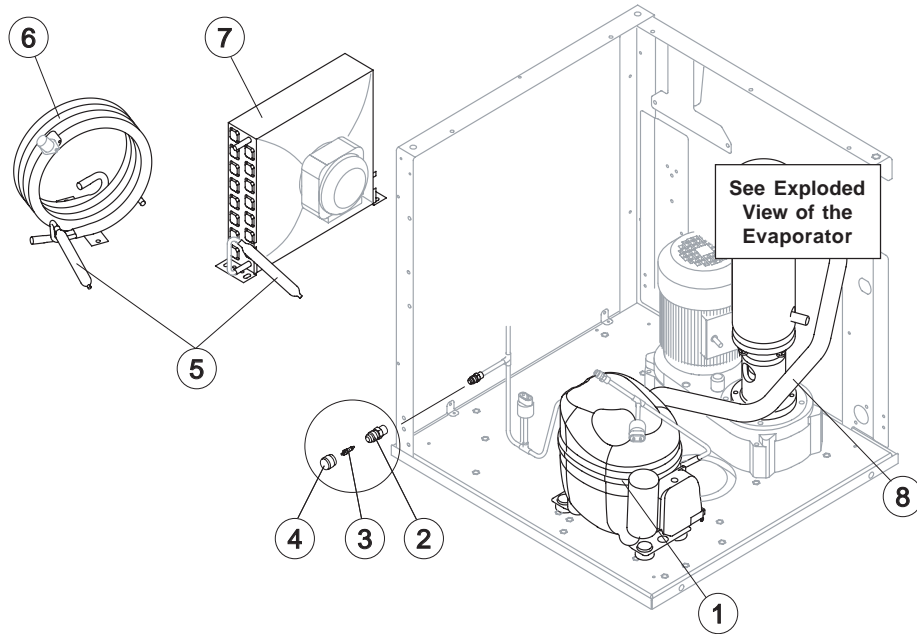
Ref.	Spare Description	Code
1	Top	221518
2	Back Panel	221514
3	Back Grill	D12091
4	Right Side Panel	221516
5	Right Side Grill	D12092
6	Front Panel	221512

Parts for Air-Cooled Version Only

Ref.	Spare Description	Code
7*	Filter	18247
8	Left Side Grill	D12094
9	Left Side Panel	221520

Parts for Water-Cooled Version Only

Ref.	Spare Description	Code
10	Left Side Panel	221516
11	Left Side Grill	D12092



Common Parts

Ref.	Spare Description	Code
1	Compressor	See Table
2	Vacuum-Charge Valve Body	14007
3*	Vacuum-Charge Valve Device	14005
4*	Vacuum-Charge Valve Plug	14006
5*	Molecular Drier	14009
6	Suctin Line	for the spare parts code give us the s/n.

Parts for Air-Cooled Version Only

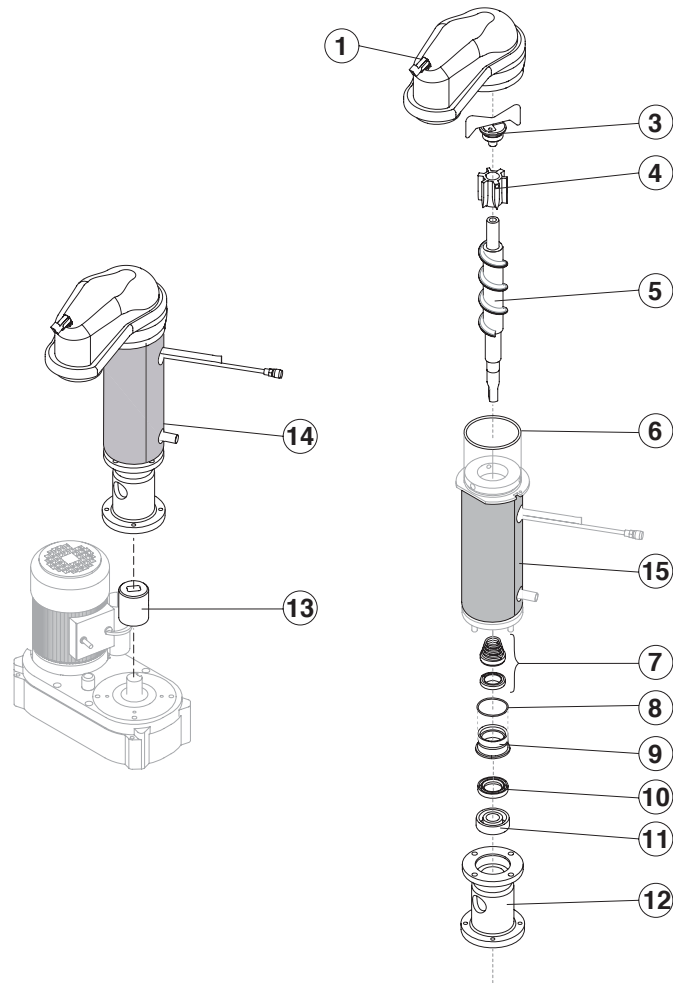
Ref.	Spare Description	Code
7	Air Condenser	20558

Parts for Water-Cooled Version Only

Ref.	Spare Description	Code
6	Water Condenser	14014

Rif. 1 - Compressor

Voltage	Code
T11	23832
T12	231308

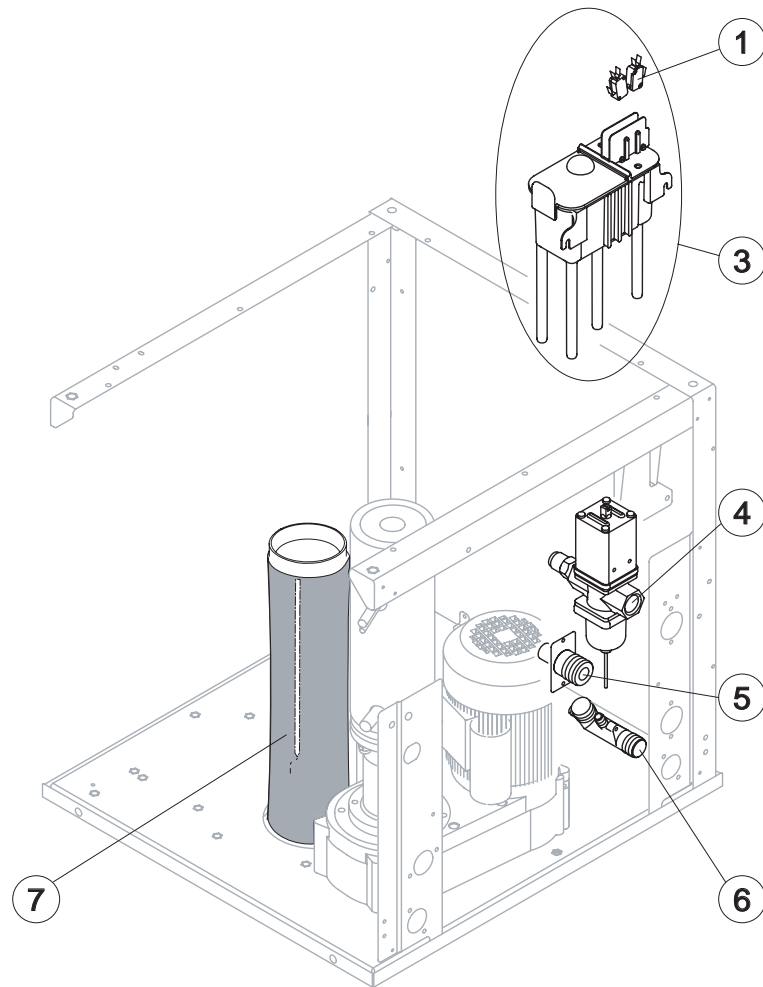


Ref.	Spare Description	Code
1	Ice Exhaust assembly with micro	C11180
3	Ice Breaker	C201047
4	Extruder with bearings assembly	C201001
5	Auger	201000
6	OR Gasket 4325	20987
7	Water Seal	20937
8	OR Gasket 3162 NBR70	20429
9	Water seal retainer	20785
10	Seal Ring	20985
11	Bearing	20917
12	Foundation	20916
13	Joint	D20630
14	Evaporator Assy	C11178
15	Insulating Cap	18205



TM 140

HYDRAULIC CIRCUIT



Common Parts

Ref.	Spare Description	Code
1	Microswitch	23055
3*	Double Switch Basin Assembly	C10684
6	Discharges Manifold	10579
7	Ice Outlet Pipe with Bin Bulb Holder	C10655

Parts for Water-Cooled Version Only

Ref.	Spare Description	Code
4	Water regulating valve assembly	R20210
5	Drain manifold	20984

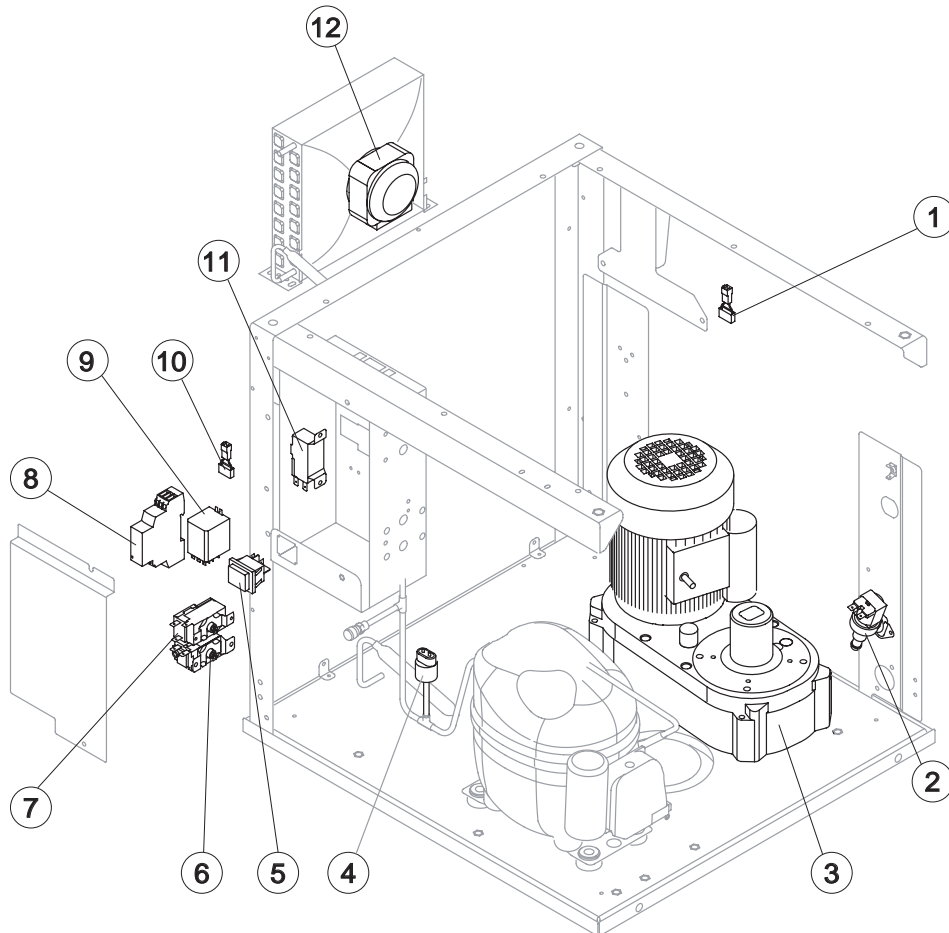


Common Parts

Ref.	Spare Description	Code
1	Anti Radio Interference Filter	T11 C23457
2*	1 Way- Water Inlet Valve	23115
3	Gearmotor	231030
4	Evaporator pressure switch	23960
5*	Green Light Switch (On-Off)	23327
6*	Evaporator Thermostat	R23591
7*	Bin Thermostat	R231035
8*	Electronic Timer	231033
9*	Relay	23190

Parts for Air-Cooled Version Only

Ref.	Spare Description	Code
10	Anti Radio Interference Filter	T11 C23459
11*	Condenser Pressure Switch	23175
12*	Fan Motor with Conveyor	231006



Rev. 2 - 19/04/2018