



SHELL ASSY

COOLING SYSTEM

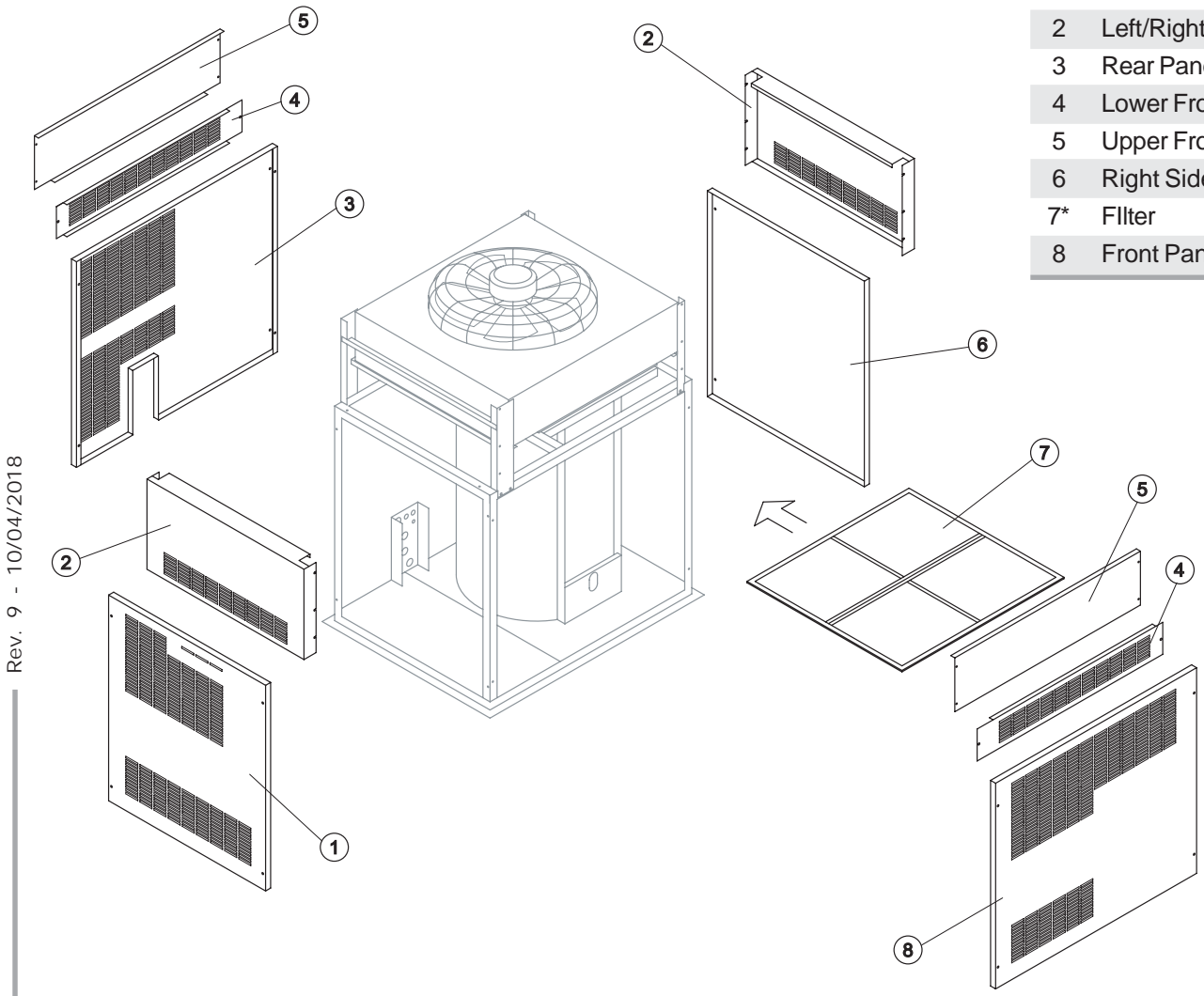
EVAPORATOR

PUMP

ELECTRIC PARTS



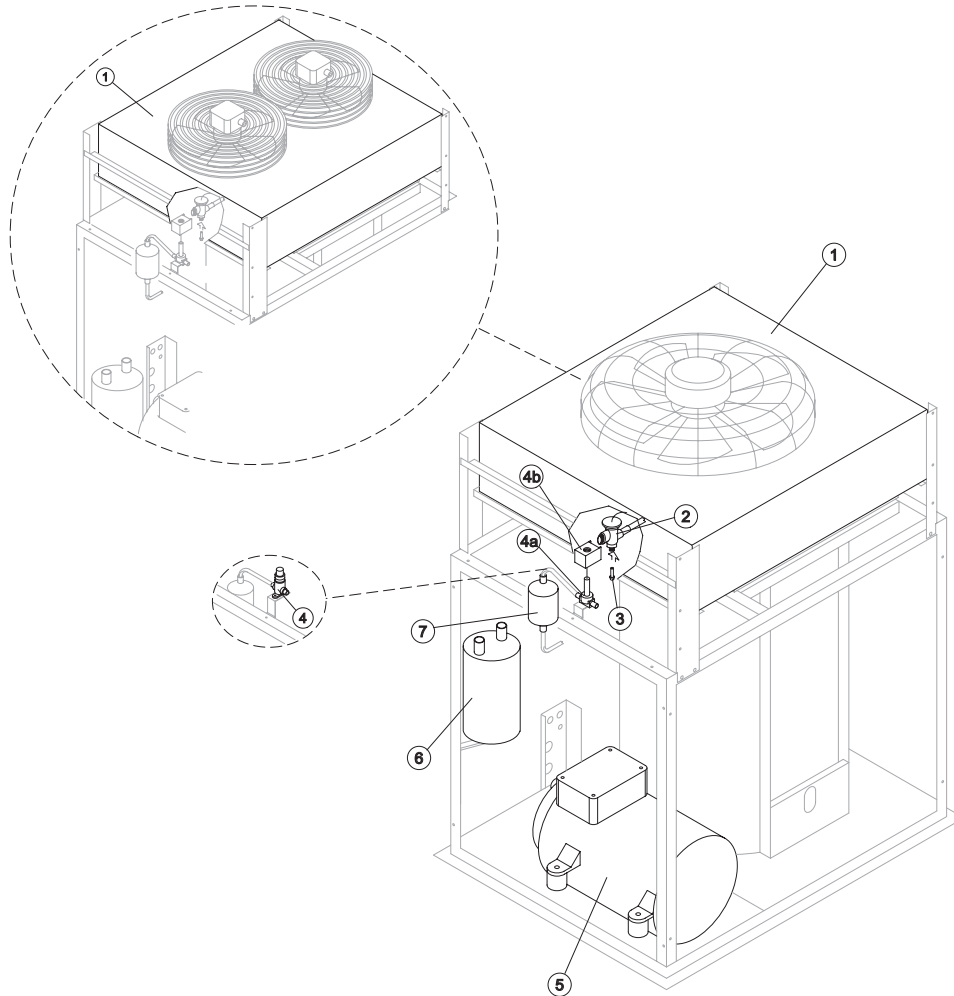
Ref.	Spare Description	Code
1	Left Side Panel	22025
2	Left/Right Condenser Panel	22030
3	Rear Panel	22045
4	Lower Front/Rear Condenser Panel	22028
5	Upper Front/Rear Condenser Panel	22029
6	Right Side Panel	22026
7*	Filter	18191
8	Front Panel	22021



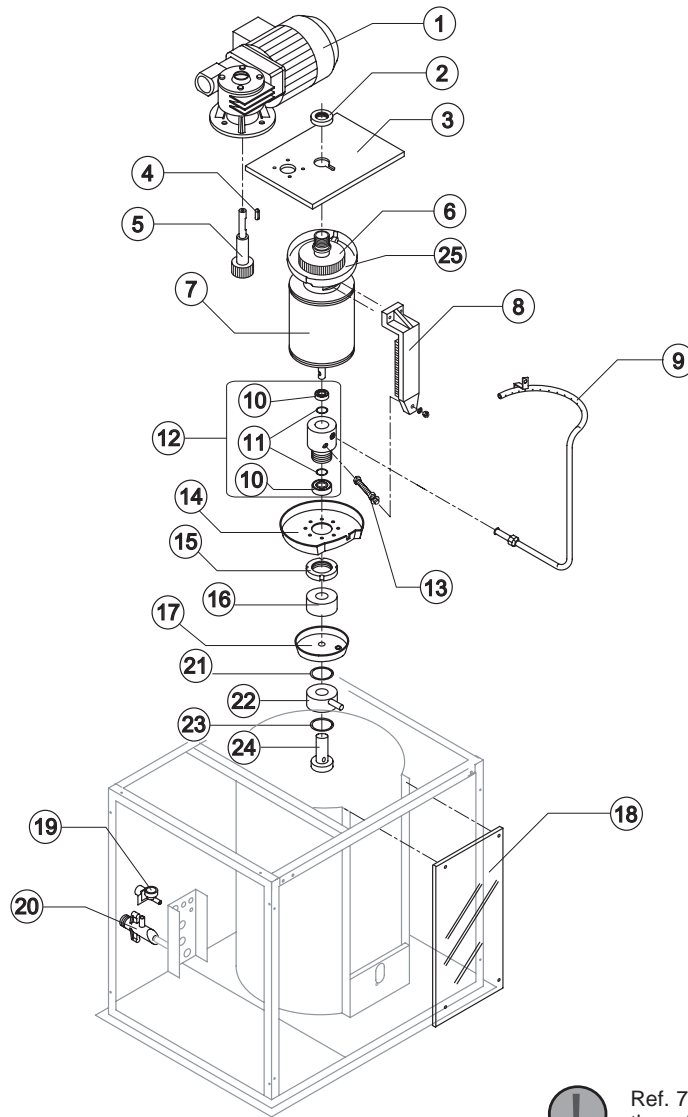
Rev. 9 - 10/04/2018



Till s/n. 315590



Ref.	Spare Description	Code	
1	Air Condenser	Current Version	20837
1	Air Condenser	Till s/n. 315590	20806
2	Expansion Valve		20826
3	Orifice	Current Version	20946
3	Orifice	Till s/n. 471749	20794
4a*	Solenoid Valve Body	Current Version	20409
4b*	Solenoid Valve Coil	Current Version	231294
4	Tap	Till s/n. 308478	20793
5	Compressor	Current version	23841
5	Compressor	From s/n. 315591 till s/n. 712983	231140
5	Compressor	Till s/n. 315590	23828
6	Liquid Separator		20805
7*	Solid Core Drier		14255



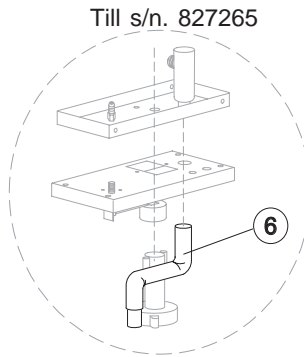
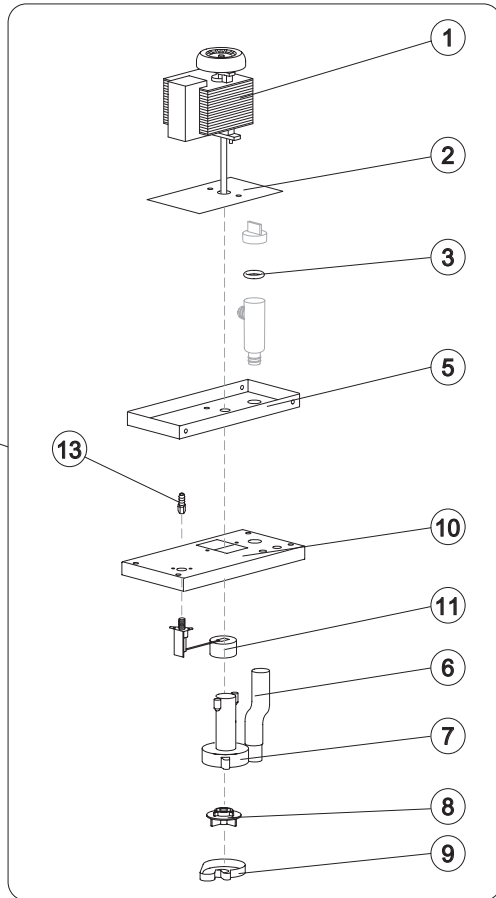
Ref.	Spare Description	Code
1	Motor with Reduction Gear Assy	C23389
2	Cylinder Locking Ring Nut	20765
3	Evaporator Support Plate	20745
4	Key 6x6x40	20350
5	Pinion with Shaft for Gearmotor	20789
6	Ring Gear	20763
7	Evaporator	See Note C20776
8	Scraper	20768
9	Sprayer Ring	C221178
10	Stainless Steel Bearing	20752
11	Silicone OR 144 Gasket	20750
12	Complete Rotating Ring	C20773
13	Tie Rod (to Block Scraper)	20769
14	Rotating Basin	10443
15	Ring Nut for Rotating Ring	10469
16	Spacer	20767
17	Fixed Basin	C10600
18	Evaporator Chamber Shield	10444
19	1 Way- Water Inlet Nipple	10239
20	Discharges Manifold	10580
21	Silicone Gasket	13006
22	Water Inlet Ring	20774
23	Polythene Gasket	13070
24	Screw	20756
25	Ring gear Cover	da matr. 565189 C10637



Ref. 7 - Evaporator Assembly (Code C20776) includes also the ref. 2 - 6 - 8 - 10 - 11 - 13 - 15 - 16 - 22 - 24.



Ref.	Spare Description	Code	
1	Pump	23600	
2	Heat Dissipator	22430	
3	Pump Filter Gasket	13080	
5	Pump Motor Support	10161	
6	Pump-Filter Connection Pipe	Current Version	13187100
6	Pump-Filter Connection Pipe	Till s/n. 827265	13084
7	Pump Body	10065	
8	Pump Impeller	10066	
9	Diffusor	10067	
10	Water Pump Basin Cover	22420	
11*	Floating Valve	10188	
13	Connection	20799	
14*	Pump and Filter Assy	50 Hz	C26732
14*	Pump and Filter Assy	60 Hz	C26745

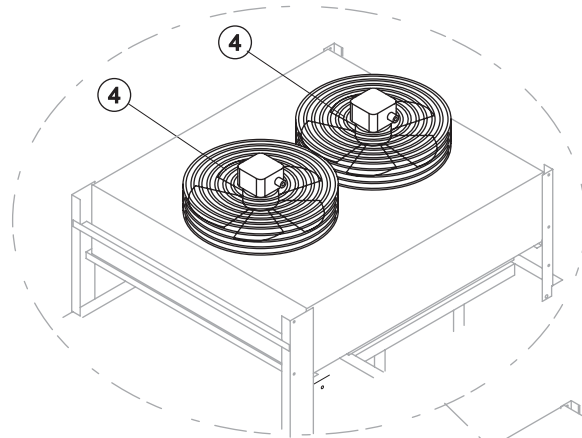




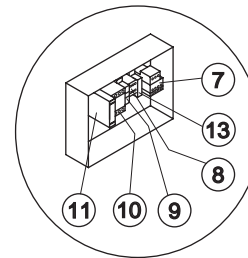
MUSTER 2000

ELECTRIC PARTS

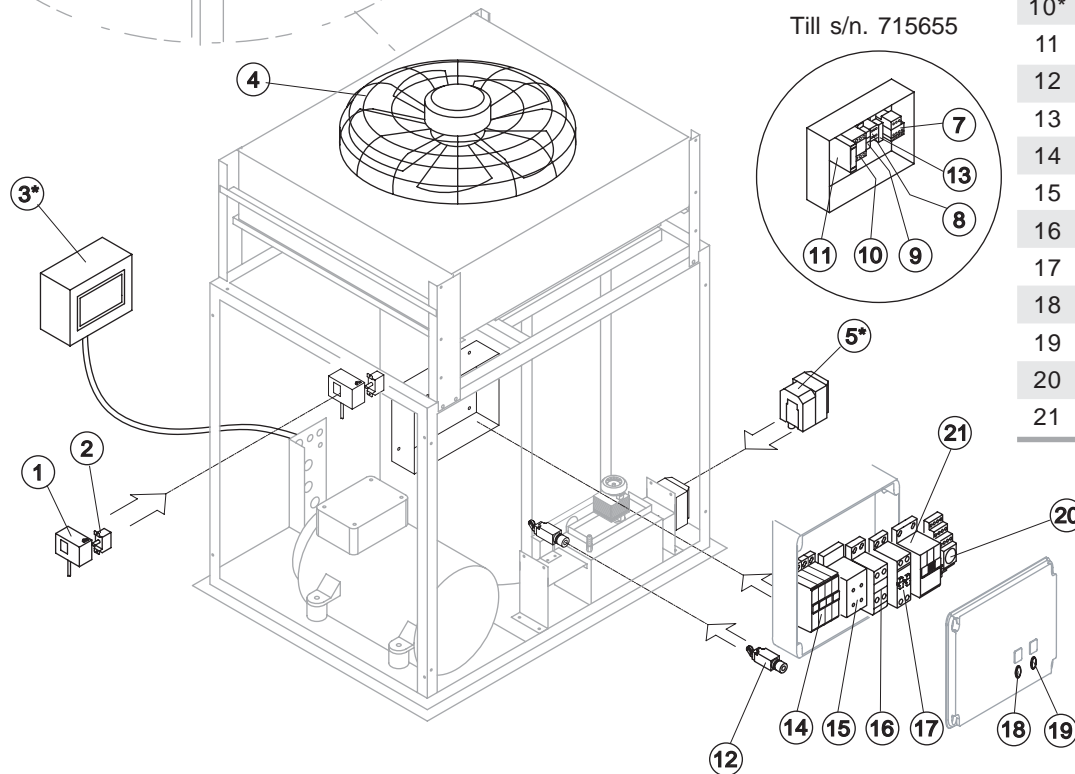
Till s/n. 315590



Till s/n. 715655



Rev. 9 - 10/04/2018



Ref.	Spare Description	Code
1	Pressure Switch	23763
2	Pressure Switch	23342
3*	Remote Electric Panel (optional)	C27263
4*	Fan Motor with Grid	Current Version 23839
4	Fan Motor with Grid	Till s/n. 315590 23792
5°	Saline Solution Dosing Pump (optional)	23796
7	Thermal Protection	Fino a Matr. 715655 C23528
8*	Contactor	Fino a Matr. 715655 23594
9	Thermo-magnetic circuit breaker	Fino a Matr. 715655 23910
10*	Contactor	Fino a Matr. 715655 23398
11	Voltage control relay	Fino a Matr. 715655 23903
12	Microswitch for Overflow Ice	23746
13	Electronic Delay Timer	Da Matr. 517546 - Fino a Matr. 715655 231033
14	Thermo-magnetic circuit breaker 4P	231186
15	Voltage control relay	23903
16	Contactor	231188
17	Contactor	231189
18	Indicator Lamp (green)	231191
19	Indicator Lamp (red)	231192
20	Delayer	231190
21	Residual Current Circuit Breaker	231187